

1188160

COMBI 250 VA 230V 50HZ

3226142_1188160_R12W - R12W (20/10/2020)



Access Platform Division

Via San Francesco d'Assisi, 8 - 46020 Pegognaga (Mantova) - ITALY Tel. +39 0376
554011 - Fax +39 0376 559855

www.imergroup.com

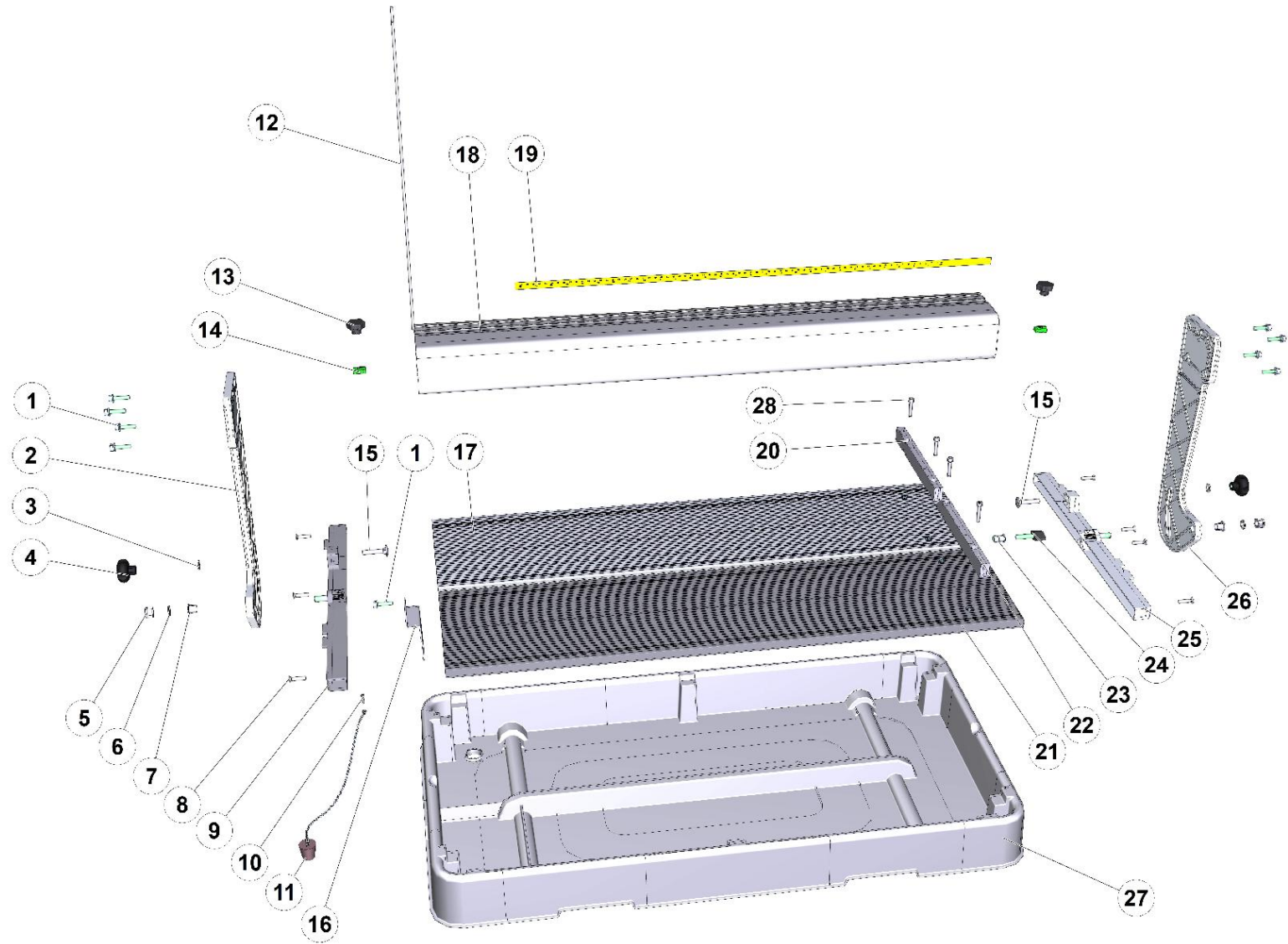
Building Equipment Division

Via della Meccanica, 39 (Zona Industriale Sentino) - 53040 Rapolano Terme
(Siena) - ITALY - Tel. +39 0577 97341 - Fax +39 0577 704077

www.imergroup.com

www.imerglobalcustomercare.com

TABLE AND TRAY



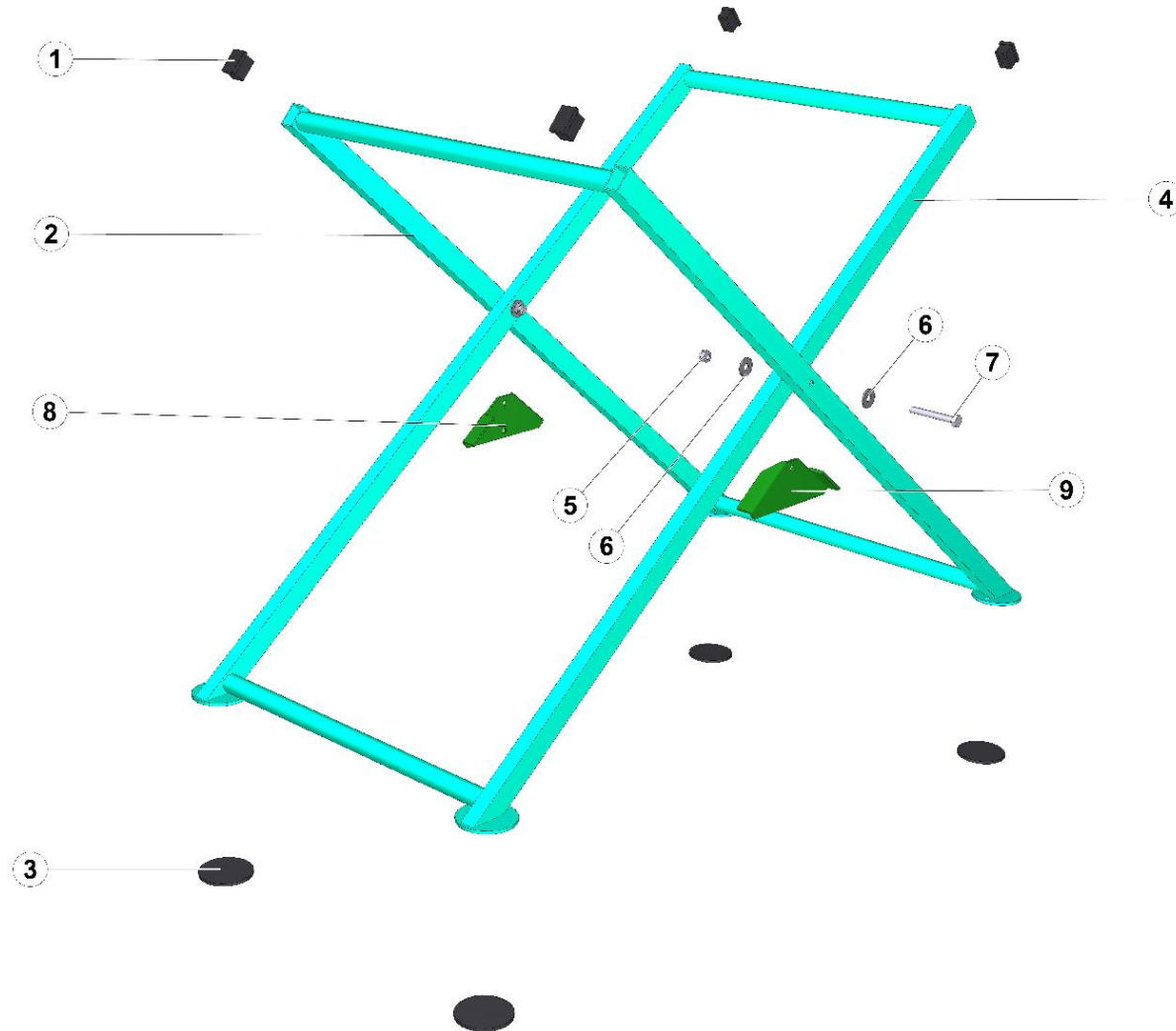


| N. | CODE | DESCRIPTION | UM | QTY |
|----|---------|-------------------------------------|----|-----|
| 1 | 3210099 | SCREW | PZ | 9.0 |
| 2 | 3226359 | DIECASTING | PZ | 1.0 |
| 3 | 3210576 | WASHER | PZ | 2.0 |
| 4 | 2284866 | KNOB/HANDLE | PZ | 2.0 |
| 5 | 2223920 | SELF-LOCKING NUT | PZ | 2.0 |
| 6 | 3226087 | ROLLER/SAW | PZ | 2.0 |
| 7 | 3226088 | SPACER/SAW | PZ | 2.0 |
| 8 | 2222584 | BOLT/SAW | PZ | 7.0 |
| 9 | 3226070 | REAR SIDE/SAW | PZ | 1.0 |
| 10 | 2222449 | SCREW | PZ | 1.0 |
| 11 | 3230641 | COMPLETE CONICAL TANK CAP COMBI 250 | PZ | 1.0 |
| 12 | 3210070 | ROD/SAW | PZ | 1.0 |
| 13 | 3204865 | KNOB/SAW | PZ | 2.0 |
| 14 | 3210071 | NUT/SAW | PZ | 2.0 |
| 15 | 3226747 | BOLT/SAW | PZ | 2.0 |
| 16 | 3226083 | SUPPORT | PZ | 1.0 |
| 17 | 3226064 | RH SURFACE/SAW | PZ | 1.0 |
| 18 | 3210068 | BAR/SAW | PZ | 1.0 |
| 19 | 3210069 | ADHESIVE LABEL/SAW | PZ | 1.0 |
| 20 | 3226073 | RH FENCE/SAW | PZ | 1.0 |
| 21 | 3226265 | LH SURFACE/SAW | PZ | 1.0 |



| N. | CODE | DESCRIPTION | UM | QTY |
|----|---------|-------------------------------|----|-----|
| 22 | 3226074 | LH FENCE/SAW | PZ | 1.0 |
| 23 | 2224005 | THREADED INSERT M8*9418-2822* | PZ | 1.0 |
| 24 | 3211381 | LOCK KNOB/SAW | PZ | 1.0 |
| 25 | 3226069 | FRONT SIDE/SAW | PZ | 1.0 |
| 26 | 3226357 | SUPPORT/SAW | PZ | 1.0 |
| 27 | 3210055 | WATER TRAY/SAW | PZ | 1.0 |
| 28 | 2222545 | SCREW | PZ | 4.0 |

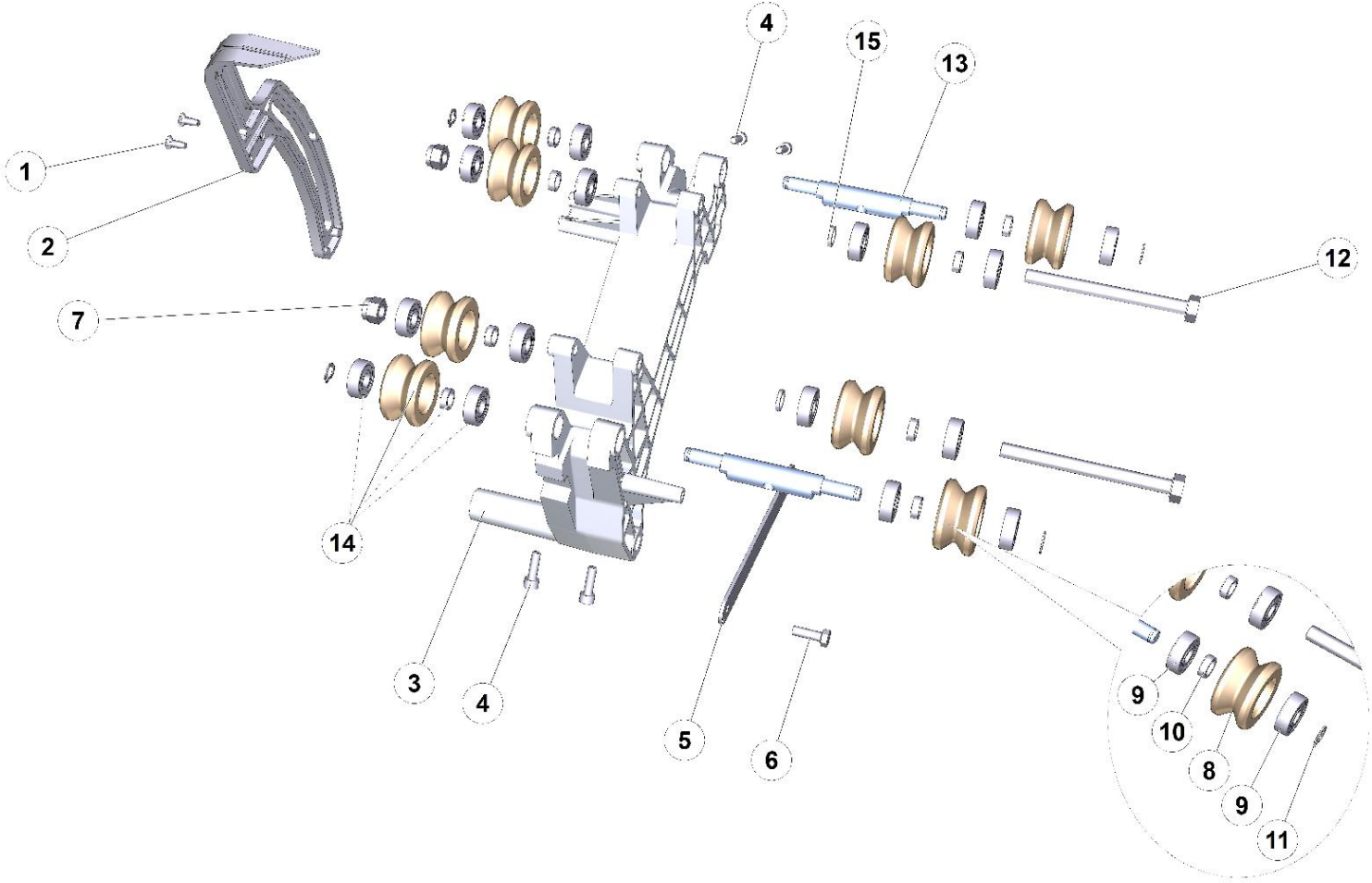
FRAME





| N. | CODE | DESCRIPTION | UM | QTY |
|----|---------|------------------------|----|-----|
| 1 | 3206205 | TERMINAL/MN | PZ | 4.0 |
| 2 | 3210080 | TRESTLE ELEMENT/SAW | PZ | 1.0 |
| 3 | 3210646 | ISOTEC/SAW | PZ | 4.0 |
| 4 | 3210080 | TRESTLE ELEMENT/SAW | PZ | 1.0 |
| 5 | 2223923 | LOCK NUT | PZ | 2.0 |
| 6 | 2224204 | ROLLER/SAW | PZ | 4.0 |
| 7 | 1222030 | SCREW | PZ | 2.0 |
| 8 | 3231524 | STAND STOP CM250 LEFT | PZ | 1.0 |
| 9 | 3231523 | STAND STOP CM250 RIGHT | PZ | 1.0 |

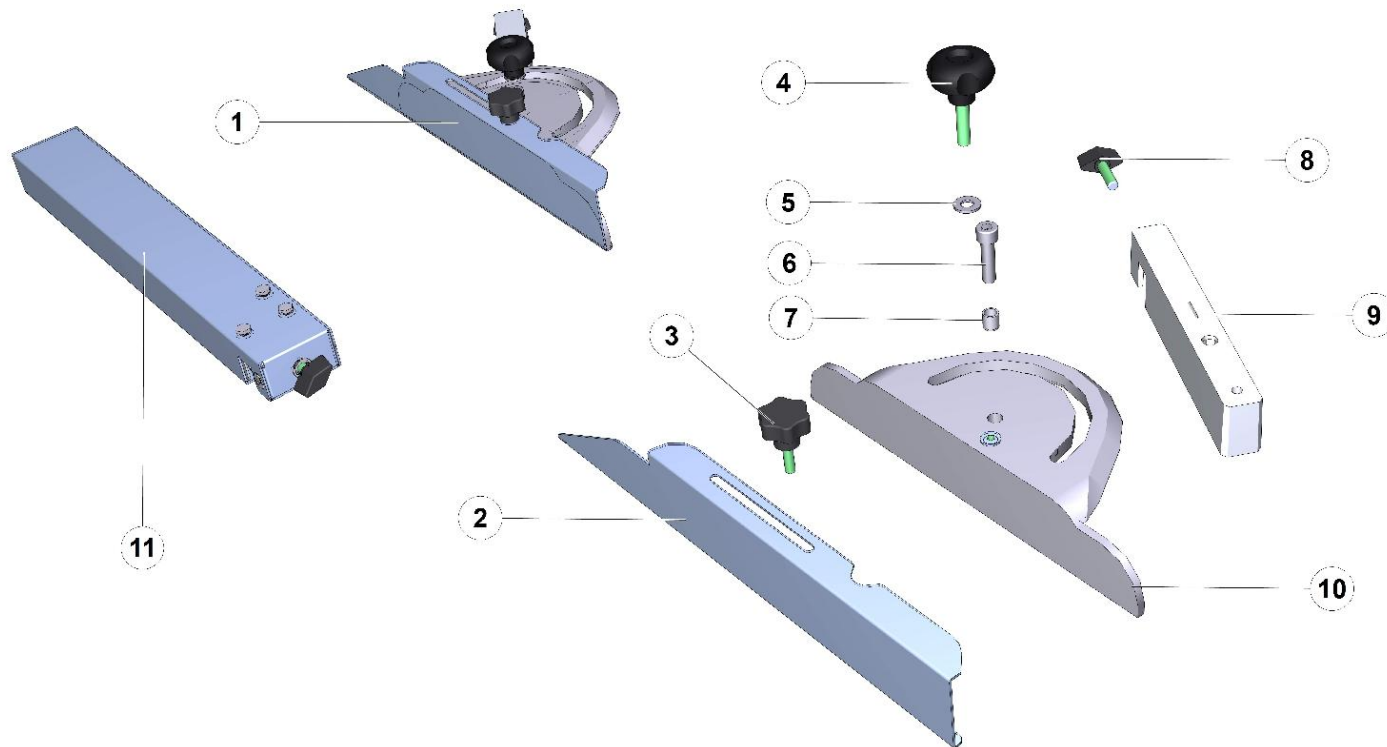
CARRIAGE





| N. | CODE | DESCRIPTION | UM | QTY |
|----|---------|----------------------|----|------|
| 1 | 3210105 | SCREW/SAW | PZ | 2.0 |
| 2 | 3210028 | HANDLE BRACKET/SAW | PZ | 1.0 |
| 3 | 3210031 | CARRIAGE CASTING/SAW | PZ | 1.0 |
| 4 | 3210036 | SCREW | PZ | 4.0 |
| 5 | 3210029 | BLADE GUARD/SAW | PZ | 1.0 |
| 6 | 2222000 | SCREW | PZ | 1.0 |
| 7 | 2223923 | LOCK NUT | PZ | 2.0 |
| 8 | 3207397 | ROLLER/SAW | PZ | 8.0 |
| 9 | 3204945 | BEARING | PZ | 16.0 |
| 10 | 3207393 | SPACER | PZ | 8.0 |
| 11 | 3210627 | STOP RING | PZ | 4.0 |
| 12 | 2222114 | SCREW | PZ | 2.0 |
| 13 | 3210032 | Pin | PZ | 2.0 |
| 14 | 3207525 | WHEEL/SAW | PZ | 8.0 |
| 15 | 3210622 | SPACER/SAW | PZ | 2.0 |

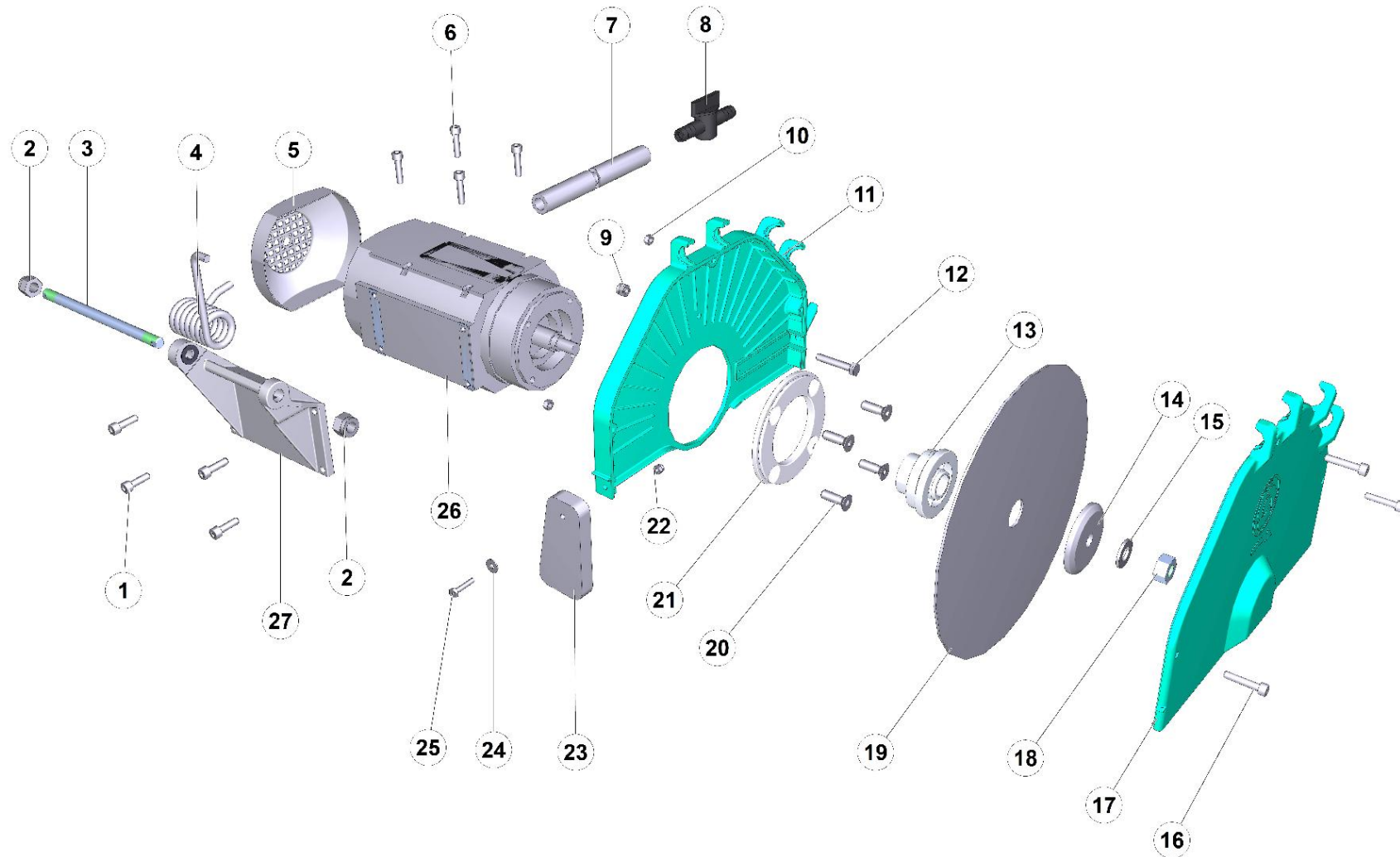
GONIOMETER





| N. | CODE | DESCRIPTION | UM | QTY |
|----|---------|----------------------|----|-----|
| 1 | 3226358 | PROTRACTOR/SAW | PZ | 1.0 |
| 2 | 3226360 | PROTRACTOR'S ROD/SAW | PZ | 1.0 |
| 3 | 3223279 | KNOB/SAW | PZ | 1.0 |
| 4 | 3207939 | HANDWHEEL/SAW | PZ | 1.0 |
| 5 | 2224140 | ROLLER 6593 | PZ | 1.0 |
| 6 | 2222513 | SCREW | PZ | 1.0 |
| 7 | 3230638 | SPACER | PZ | 1.0 |
| 8 | 3211381 | LOCK KNOB/SAW | PZ | 1.0 |
| 9 | 3226076 | SUPPORT/SAW | PZ | 1.0 |
| 10 | 3226078 | PROTRACTOR/SAW | PZ | 1.0 |
| 11 | 1188178 | | | 1.0 |

ELECTRIC MOTOR



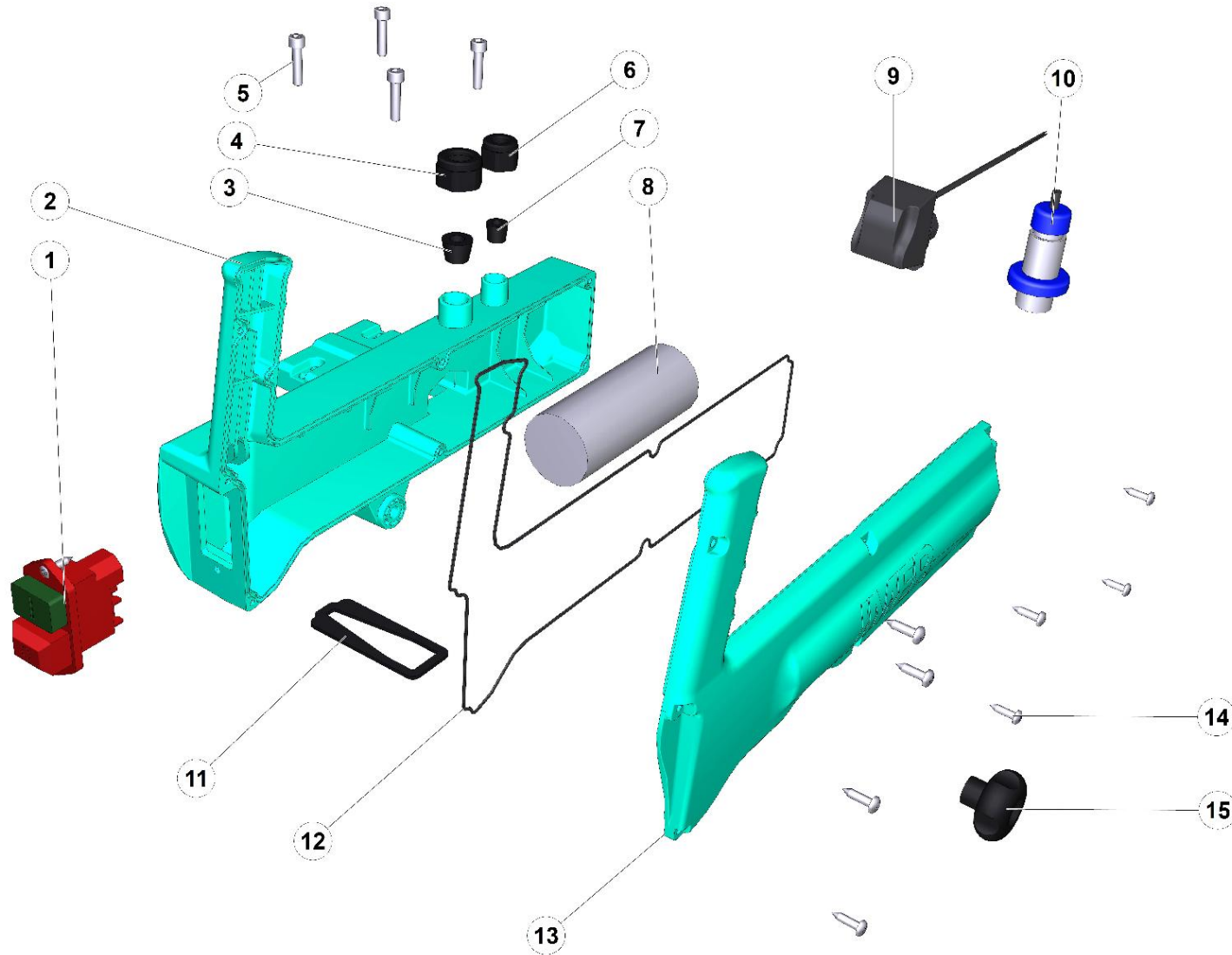


| N. | CODE | DESCRIPTION | UM | QTY |
|----|---------|-----------------------------------|----|-----|
| 1 | 2222540 | SCREW | PZ | 4.0 |
| 2 | 2223920 | SELF-LOCKING NUT | PZ | 1.0 |
| 3 | 3230250 | PIN M10 COMBI TROLLEY 250 V | PZ | 1.0 |
| 4 | 3210087 | SPRING/SAW | PZ | 1.0 |
| 5 | 3230644 | CM250VA FAN COVER KW1.5 2P 230/50 | PZ | 1.0 |
| 6 | 2222541 | SCREW/SAW | PZ | 4.0 |
| 7 | 2292365 | LINE/SAW | M | 1.0 |
| 8 | 3207884 | TAP | PZ | 1.0 |
| 9 | 2223924 | NUT | PZ | 1.0 |
| 10 | 2223352 | NUT | PZ | 3.0 |
| 11 | 3211935 | GUARD/SAW | PZ | 1.0 |
| 12 | 3209060 | SCREW | PZ | 1.0 |
| 13 | 3210044 | FLANGE | PZ | 1.0 |
| 14 | 3210046 | FLANGE/SAW | PZ | 1.0 |
| 15 | 2224380 | WASHER/SAW | PZ | 1.0 |
| 16 | 3204399 | SCREW/SAW | PZ | 3.0 |
| 17 | 3211933 | GUARD/SAW | PZ | 1.0 |
| 18 | 3210053 | NUT | PZ | 1.0 |
| 19 | 1193783 | BLADE Ø 250 GRES HARD PORCELAIN | | 1.0 |
| 20 | 3201339 | SCREW/SAW | PZ | 4.0 |
| 21 | 3210043 | SPACER BRACKET/SAW | PZ | 1.0 |



| N. | CODE | DESCRIPTION | UM | QTY |
|----|---------|---------------------------------------|----|-----|
| 22 | 2223926 | NUT/SAW | PZ | 1.0 |
| 23 | 3210050 | SPRAY GUARD/SAW | PZ | 1.0 |
| 24 | 2224535 | ROLLER/MN | PZ | 1.0 |
| 25 | 2222001 | SCREW | PZ | 1.0 |
| 26 | 3233669 | MOTOR KW1.5 2P 240/50 CM250VA | PZ | 1.0 |
| 27 | 3230255 | MOTOR BRACKET DIE-CAST FINISH CM250 V | PZ | 1.0 |

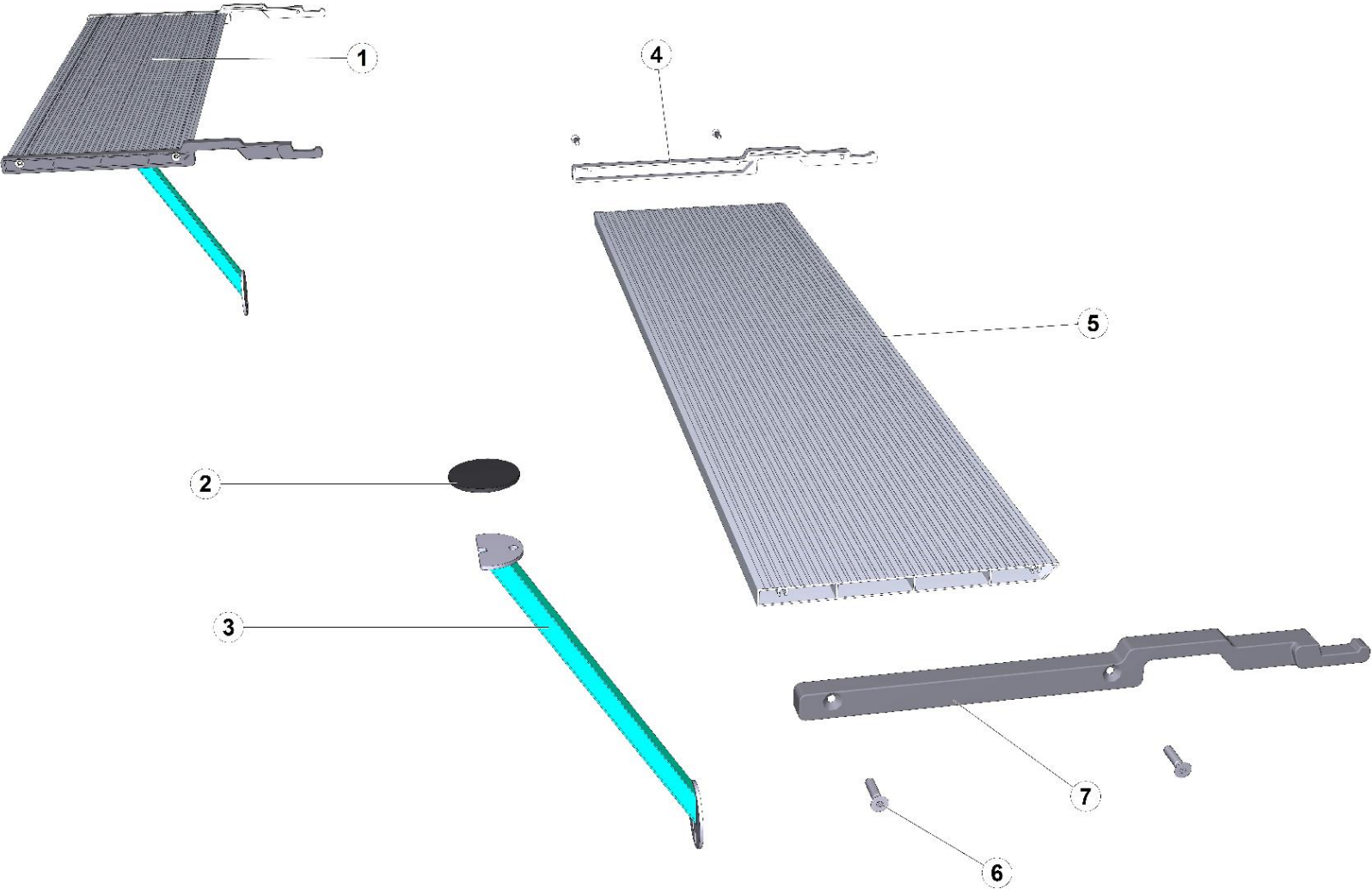
ELECTRIC PANEL AND WATER PUMP





| N. | CODE | DESCRIPTION | UM | QTY |
|----|---------|------------------------------------|----|-----|
| 1 | 3209337 | SWITCH | PZ | 1.0 |
| 2 | 3210230 | HANDLE/SAW | PZ | 1.0 |
| 3 | 3226100 | RUBBER | PZ | 1.0 |
| 4 | 3226095 | RING PG16 BLACK | PZ | 1.0 |
| 5 | 2222541 | SCREW/SAW | PZ | 5.0 |
| 6 | 3226098 | RING PG11 BLACK- HOLE D.11 | PZ | 1.0 |
| 7 | 3226101 | RUBBER | PZ | 1.0 |
| 8 | 3229931 | CAPACITOR MF40 450V 45X96 FAST. | PZ | 1.0 |
| 9 | 3233271 | PUMP 230V 50HZ 50W + FEMALE FASTON | PZ | 1.0 |
| 10 | 3210609 | SUPPLY CABLE CM250V | PZ | 1.0 |
| 11 | 3225596 | GASKET/SAW | PZ | 1.0 |
| 12 | 3210114 | GASKET | M | 1.0 |
| 13 | 3210231 | COVER/SAW | PZ | 1.0 |
| 14 | 3210116 | BOLT/SAW | PZ | 8.0 |
| 15 | 2284866 | KNOB/HANDLE | PZ | 1.0 |

SIDE ROLLER





| N. | CODE | DESCRIPTION | UM | QTY |
|----|---------|--------------------------|----|-----|
| 1 | 1188166 | side table for Combi 250 | | 1.0 |
| 2 | 3210646 | ISOTEC/SAW | PZ | 1.0 |
| 3 | 3226233 | SUPPORT/SAW | PZ | 1.0 |
| 4 | 3226146 | SUPPORT/SAW | PZ | 1.0 |
| 5 | 3226066 | SIDE ROLLER/SAW | PZ | 1.0 |
| 6 | 2222584 | BOLT/SAW | PZ | 1.0 |
| 7 | 3226145 | SUPPORT/SAW | PZ | 8.0 |



Access Platform Division

Via San Francesco d'Assisi, 8 - 46020 Pegognaga (Mantova) - ITALY Tel. +39 0376
554011 - Fax +39 0376 559855

www.imergroup.com

Building Equipment Division

Via della Meccanica, 39 (Zona Industriale Sentino) - 53040 Rapolano Terme
(Siena) - ITALY - Tel. +39 0577 97341 - Fax +39 0577 704077

www.imergroup.com